

 **SIMONSWERK**
BAKA®

Adjustable Hinge Systems
for Timber Entrance Doors

INDEX

C 1-15 WF up to 60 kg **4**

C 1-20 WF up to 100 kg **5**

2D

BAKA 2D 20 two-dimensionally adjustable up to 100 kg **6**

BAKA 2D 20 RZ 57 two-dimensionally adjustable up to 100 kg **6**

BAKA 2D 20 FD two-dimensionally adjustable up to 100 kg **7**

BAKA 2D 20 FD RZ 57 two-dimensionally adjustable up to 100 kg **7**

BAKA 2D 20/100-1 two-dimensionally adjustable up to 100 kg **8**

BAKA 2D 20/100-1 FD two-dimensionally adjustable up to 100 kg **8**

3D

BAKA protect 3D three-dimensionally adjustable up to 120 kg **9**

BAKA protect 3D FD three-dimensionally adjustable up to 120 kg **9**

Designer Options **10**

Technical Information **12**

Drillings Jigs **18**



Traditions make a move

Adjustable Hinge Systems for Timber Entrance Doors

Timber entrance doors emphasize the value of a building by adding material value. Especially for timber entrance doors SIMONSWERK has developed BAKA Hinges. These adjustable hinges fulfil desired requirements regarding quality and technology. Furthermore the certified and quality marked BAKA hinges help to accomplish modern design of exterior doors.

The convincing variety of the BAKA range features load capacities of up to 120 kg. This hinge system has maintenance-free slide bearings and is available with security pin for effective burglar resistance. BAKA 2D provides the user with two-dimensional and BAKA 3D with three-dimensional adjustability. A choice of finishes and finials are available for sophisticated door design.

SIMONSWERK Installation Aids help to achieve correct and efficient mounting.

So BAKA fulfil the requirements concerning stability and security of heavy timber entrance doors.

SIMONSWERK
BAKA®

C 1-15 WF

3-part drill-in hinge for timber doors

Door	up to 60 kg	3-part
------	-------------	--------

Technical Data

Load capacity	60.0 kg
Knuckle length	75.0 mm
Knuckle diameter	15.0 mm

Combination

Decorative sleeve, brassed No. 2-2 ZK
Decorative sleeve, brassed No. 3-2

See page 10

Installation Aids

Jig BAKA Drilling jig KR
Plastic drilling jig BAKA 13/15

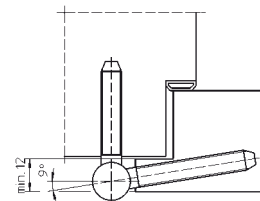
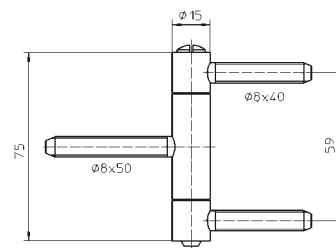
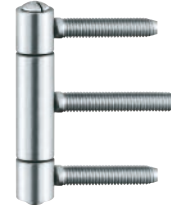
See page 18 and following

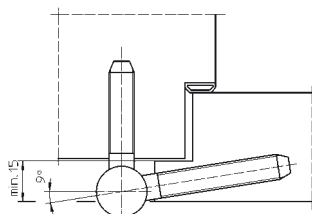
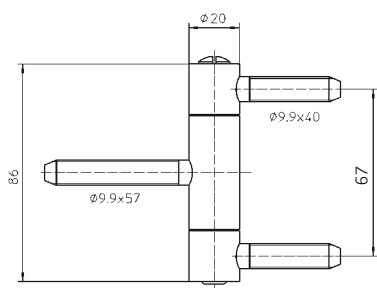
Finishes

black japanned, nickelled, browned, gilded, stainless steel satin brushed, traffic white
- RAL 9016, brown - H 9, top zinc

Note

Also available with security pin (MSTS).





C 1-20 WF

for timber entrance doors

Entrance Door		up to 100 kg
---------------	--	--------------

Technical Data

Load capacity	100.0 kg
Knuckle length	86.0 mm
Knuckle diameter	20.0 mm

Combination

Decorative sleeve, brass No. 5
Decorative sleeve, brass No. 6
Decorative sleeve, plastic No. 8

See page 11

Installation Aids

Jig	Plastic drilling jig BAKA 20
-----	------------------------------

See page 18 and following

Finishes

black japanned, nickelled, browned, gilded, stainless steel satin brushed, traffic white - RAL 9016, brown - H 9, top zinc

Note

Also available with security pin (MSTS).

Quality marks



SIMONSWERK
BAKA®

BAKA 2D 20

for timber entrance doors

Entrance Door	up to 100 kg	two-dimensionally adjustable
---------------	--------------	------------------------------

Technical Data

Load capacity	100.0 kg
Knuckle length	86.0 mm
Knuckle diameter	20.0 mm
Cutter diameter	20.0 mm

Descriptive Text

SIMONSWERK timber entrance door hinge BAKA 2D 20 with concealed receiver in the door leaf for doors with thin overlap starting at 15 mm. CE-certified, load capacity 100 kg, knuckle length 86 mm, knuckle diameter 20 mm, right hand and left hand applicable. Two-dimensionally adjustable: side +/- 3.0 mm, compression +/- 3.0 mm. Maintenance-free slide bearing technology, suitable for testing in accordance with DIN V EN V 1627ff. Finish...

Combination

Decorative sleeve, brass No. 5
Decorative sleeve, brass No. 6
Decorative sleeve, plastic No. 8

See page 11

Installation Aids

Jig	Frame	Plug-in drilling jig BAKA 2D 20
		Ball bearing location drilling jig BAKA Frame 20
Door		Routing jig BAKA 2D 20 Door
		Ball bearing location drilling jig BAKA 2D 20 Door

See page 18 and following

Finishes

nickelled, satin nickelled/F2, polished gilded, satin chromed/F1, stainless steel satin brushed, traffic white - RAL 9016, brown - H 9, top zinc

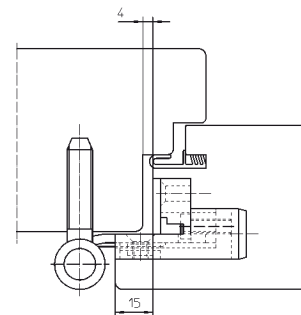
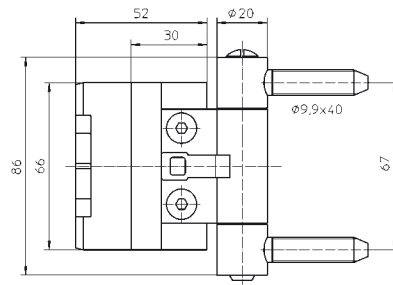
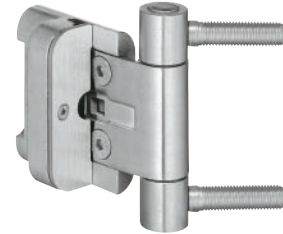
Note

Also available with security pin (MSTS).

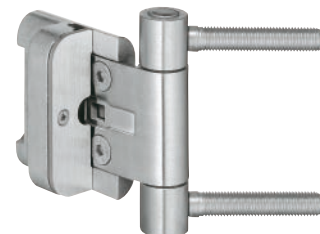
Function Range

Burglar resistance

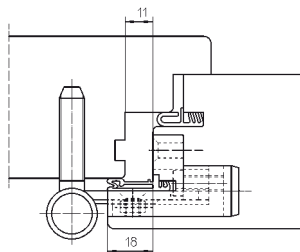
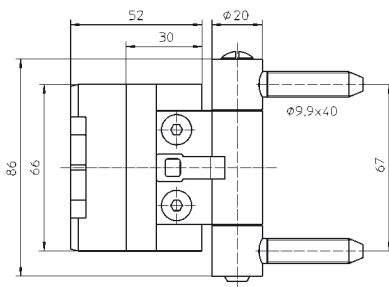
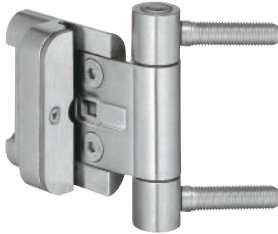
Quality marks



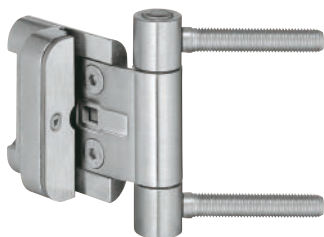
Version



BAKA 2D 20 RZ 57 with frame pins 57 mm



Version



BAKA 2D 20 FD RZ 57 for entrance doors with acoustic seal

BAKA 2D 20 FD

for timber entrance doors

Entrance Door	up to 100 kg	two-dimensionally adjustable
---------------	--------------	------------------------------

Technical Data

Load capacity	100.0 kg
Knuckle length	86.0 mm
Knuckle diameter	20.0 mm
Cutter diameter	20.0 mm

Descriptive Text

SIMONSWERK timber entrance door hinge BAKA 2D 20 FD with concealed receiver in the door leaf for doors with acoustic seal and thin overlap starting at 15 mm. CE-certified, load capacity 100 kg, knuckle length 86 mm, knuckle diameter 20 mm, right hand and left hand applicable. Two-dimensionally adjustable: side +/- 3.0 mm, compression +/- 3.0 mm Maintenance-free slide bearing technology, suitable for testing in accordance with DIN V EN V 1627ff. Finish...

Combination

Decorative sleeve, brass No. 5
Decorative sleeve, brass No. 6
Decorative sleeve, plastic No. 8

See page 11

Installation Aids

Jig	Frame	Plug-in drilling jig BAKA 2D 20 FD
		Ball bearing location drilling jig BAKA Frame 20
Door		Routing jig BAKA 2D 20 Door
		Ball bearing location drilling jig BAKA 2D 20 Door

See page 18 and following

Finishes

nickelled, satin nickelled/F2, gilded, satin chromed/F1, stainless steel satin brushed, traffic white - RAL 9016, brown - H 9, top zinc

Note

Also available with security pin (MSTS).

Function Range

Soundproof, Burglar resistance

Quality marks



SIMONSWERK
BAKA®

BAKA 2D 20/100-1

Hinge system with 2D adjustment for timber entrance doors

Entrance Door	up to 100 kg	two-dimensionally adjustable
---------------	--------------	------------------------------

Technical Data

Load capacity	100.0 kg
Knuckle length	100.0 mm
Knuckle diameter	20.0 mm
Cutter diameter	20.0/16.0 mm

Descriptive Text

SIMONSWERK timber entrance door hinge BAKA 2D 20/100-1 with concealed receiver in the door leaf and frame for doors with thin overlap starting at 15 mm. CE-certified, load capacity 100 kg, knuckle length 100 mm, knuckle diameter 20 mm, right hand and left hand applicable. Two-dimensionally adjustable without unhooking the door: side ± 3.0 mm, compression $+0.0/-4.0$ mm Maintenance-free slide bearing technology, suitable for testing in accordance with DIN V EN V 1627ff. Finish...

Combination

Decorative sleeve, plastic No. 7

See page 11

Installation Aids

Jig	Frame	Drilling-/routing jig BAKA 3D 20 Frame
		Ball bearing location drilling jig BAKA 3D 20 Frame
Door		Routing jig BAKA 2D 20 Door
		Ball bearing location drilling jig BAKA 2D 20 Door

See page 18 and following

Finishes

stainless steel satin brushed, top zinc

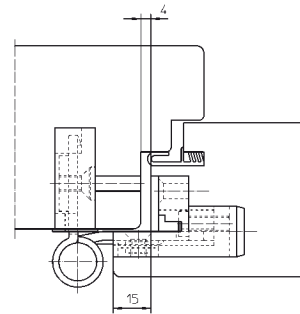
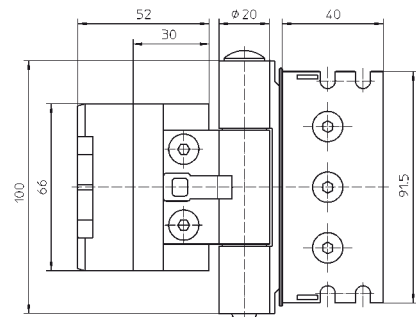
Note

Also available with security pin (MSTS).

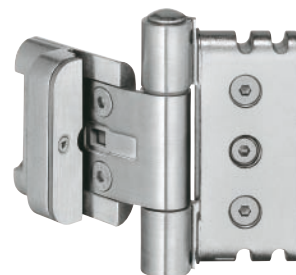
Function Range

Burglar resistance

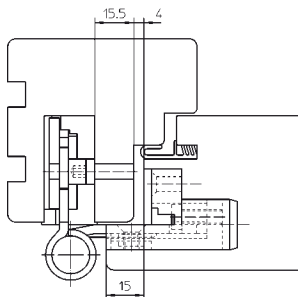
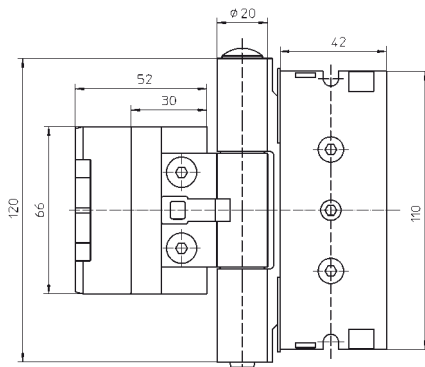
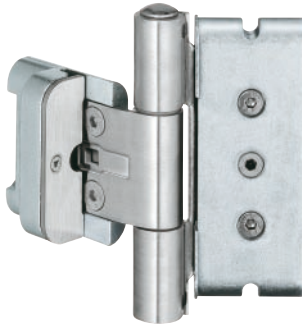
Quality marks



Version



BAKA 2D 20/100-1 FD for entrance doors with acoustic seal



Version



BAKA protect 3D FD for entrance doors with acoustic seal

BAKA protect 3D

Hinge system with comfortable eccentric adjustment for timber entrance doors

Entrance Door	up to 120 kg	three-dimensionally adjustable
---------------	--------------	--------------------------------

Technical Data

Load capacity	120.0 kg
Knuckle length	120.0 mm
Knuckle diameter	20.0 mm
Cutter diameter	20.0 mm

Descriptive Text

SIMONSWERK timber entrance door hinge BAKA protect 3D with concealed receiver in the door leaf and frame. CE-certified, load capacity 120 kg, knuckle length 120 mm, comfortable eccentric adjustment, knuckle diameter 20 mm, right hand and left hand applicable. Three-dimensionally adjustable without unhooking the door: Side +/-3.0 mm, height +/-3.0 mm, compression +0.0/-4.0 mm. Maintenance-free slide bearing technology, suitable for testing in accordance with DIN V EN V 1627ff. Finish...

Combination

Decorative sleeve, plastic No. 10

See page 11

Installation Aids

Jig	Frame	Drilling-/routing jig BAKA protect Frame
	Ball bearing location	drilling jig BAKA protect Frame
	Door	Routing jig BAKA 2D 20 Door
	Ball bearing location	drilling jig BAKA 2D 20 Door

See page 18 and following

Finishes

satin nickelled/F2, polished gilded, stainless steel satin brushed, traffic white - RAL 9016, brown - H 9, top zinc, light browned

Note

Set consists of 3 hinges (1 hinge = height adjustment, 2 hinges = compression adjustment).

Also available with security pin (MSTS).

Function Range

Burglar resistance

Quality marks



Decorative Finials

Following the trend of design orientated entrance doors we offer Basic, Soft and ZK finials.



Basic



Soft



ZK

Decorative Sleeves - decoration for every hinge

Decorative sleeves are the uncomplicated solution to cover door hinges, especially for the different shapes of the hinge types.

The three-part sleeves can be put on quickly and hassle free. A perfect retro-fit solution are the decorative caps made of plastic which can be clipped on in situ. Decorative sleeves are available in various colours and finishes.

Decorative sleeve, brassed No. 2-2 ZK

Combination

Hinge	C 1-15 WF
	C 2-15 WF



Decorative sleeve, brassed No. 3-2

Combination

Hinge	C 1-15 WF
	C 2-15 WF





Decorative sleeve, brass No. 5 ZK

Combination

Hinge	C 1-20 WF BAKA 2D 20 BAKA 2D 20 FD
-------	--



Decorative sleeve, brass No. 6

Combination

Hinge	C 1-20 WF BAKA 2D 20 BAKA 2D 20 FD
-------	--



Decorative sleeve, plastic No. 7

Combination

Hinge	BAKA 2D 20/100-1 BAKA 2D 20/100-1 FD
-------	---



Decorative sleeve, plastic No. 8

Combination

Hinge	C 1-20 WF BAKA 2D 20 BAKA 2D 20 FD
-------	--



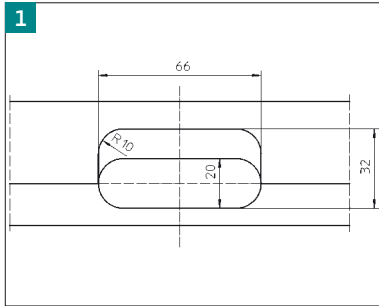
Decorative sleeve, plastic No. 10

Combination

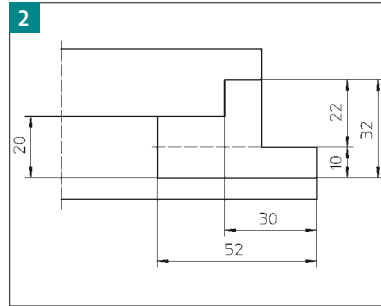
Hinge	BAKA protect 3D BAKA protect 3D FD
-------	---------------------------------------

FITTING INSTRUCTIONS

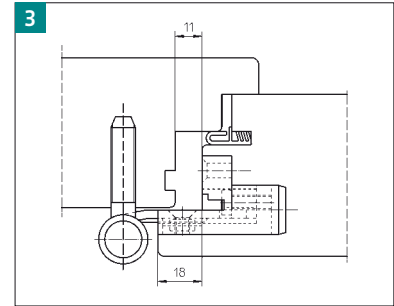
BAKA 2D 20



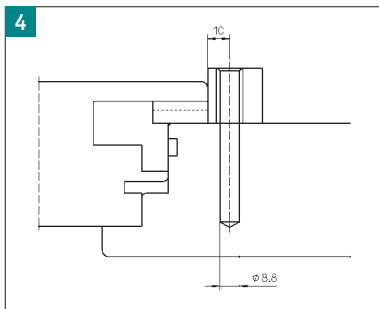
1 Determine the hinge position in the door.



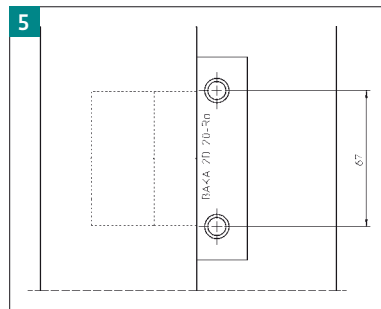
2 Prepare the holes, cutter \varnothing : see template specification; heed different milling depth specifications (1.+ 2. hole).



3 Fasten the door part in the hole with 2 wood screws 5 x 60 mm.



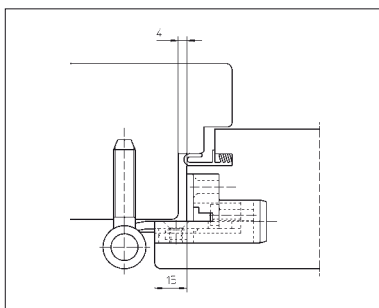
4 Put the door in the frame (4 mm clearance on the hinge side is taken into account in the jig). Determine upper clearance by means of spacer blocks.



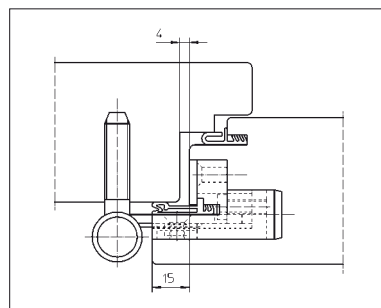
5 Insert the jig in the hole. Make the drill holes using a 8.8 mm \varnothing bit. Remove the door from the frame.

Note

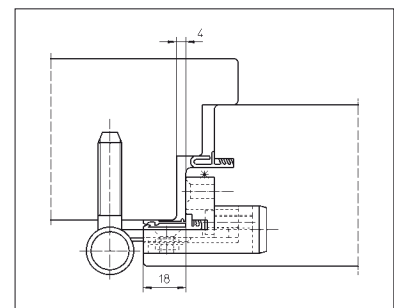
Doors with acoustic seal require the **BAKA 2D 20 FD** hinge system. The installation is identical with BAKA 2D 20. The acoustic seal runs through the hinge body of the door side.

Door Construction

Door with 15 mm rebate
Use the cover plate

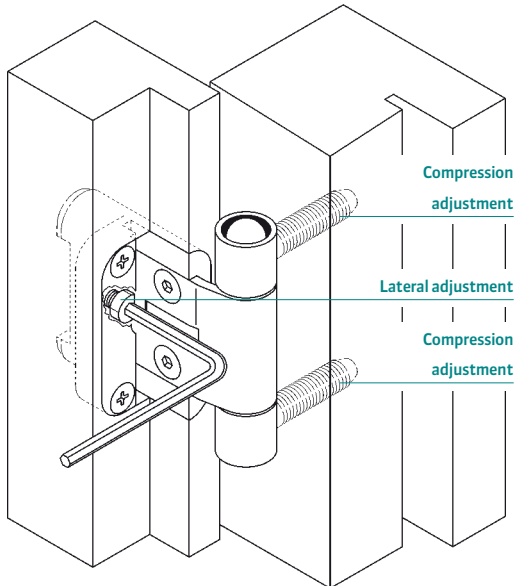


Door with 15 mm rebate and acoustic seal
Use the cover plate



Door with 18 mm rebate and acoustic seal
No cover plate

ADJUSTMENT

**BAKA 2D 20****Continuously variable 2D adjustment**

Side	+/- 3.0 mm
Depth	+/- 3.0 mm

Lateral adjustment

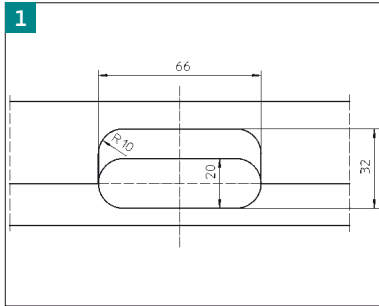
- slightly loosen the clamping screws in the door part of all hinges
- turn the adjustment screw in the required direction, avoid strain on the axis
- retighten the clamping screws

Compression adjustment

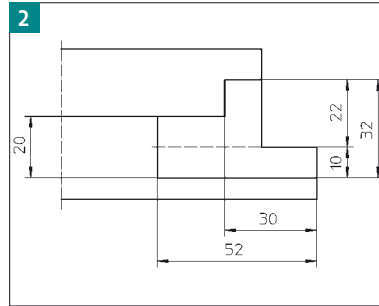
- remove the door
- adjust by turning the frame parts in or out
- refit the door

FITTING INSTRUCTIONS

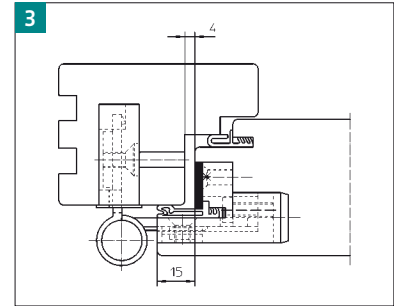
BAKA 2D 20/100-1



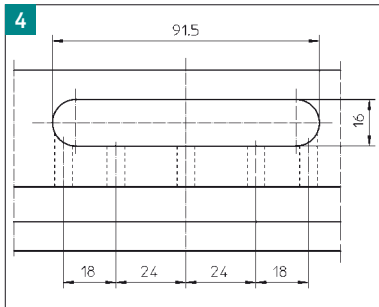
1 Determine the hinge position in the door.



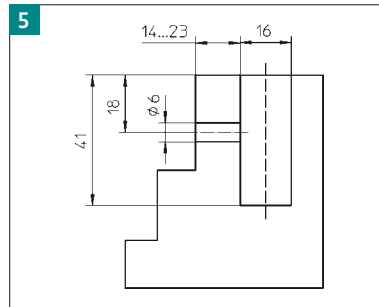
2 Prepare the holes, cutter \varnothing : see template specification; heed different milling depth specifications (1.+ 2. hole).



3 Fasten the door part in the hole with 2 wood screws 5 x 60 mm.



4 Clamp on the drilling/milling jig, drill the holes using a 6.0 mm \varnothing bit and mill the holes using a 16 mm \varnothing cutter.

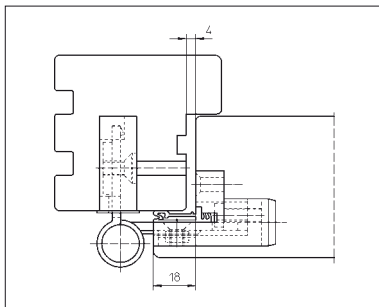


5 Insert the receivers and fix them with attached screws. Feed the door into the frame and insert the hinge pins.

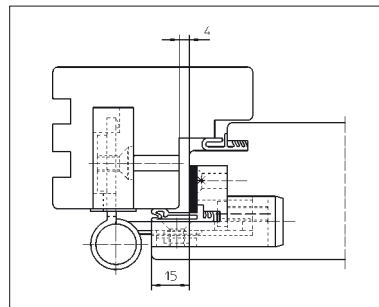
Note

Doors with acoustic seal require the **BAKA 2D 20/100-1 FD** hinge system. The installation is identical with BAKA 2D 20/100-1. The acoustic seal runs through the hinge body of the door side.

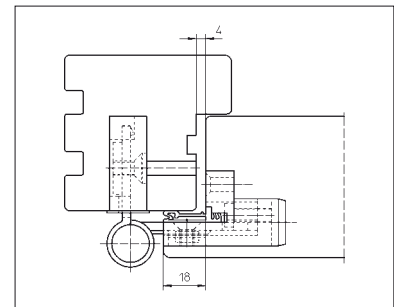
Door Construction

**Door with 15 mm rebate**

Use the cover plate

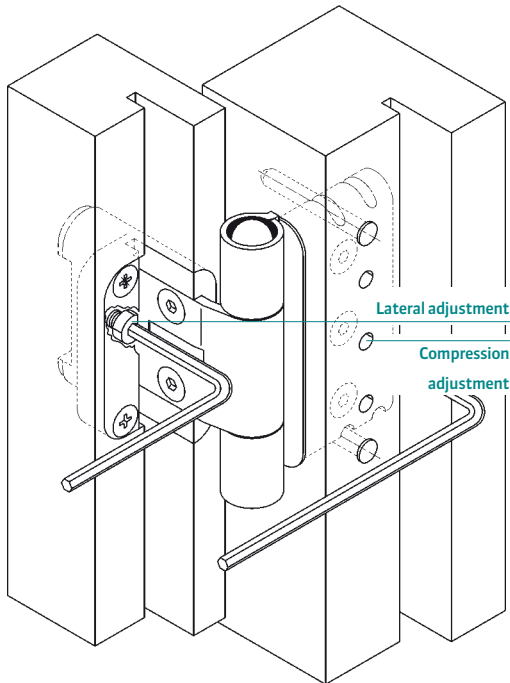
**Door with 15 mm rebate and acoustic seal**

Use the cover plate

**Door with 18 mm rebate and acoustic seal**

No cover plate

ADJUSTMENT

**BAKA 2D 20/100-1****Continuously variable 2D adjustment**

Side	+/- 3.0 mm
Depth	+/- 3.0 mm

Lateral adjustment

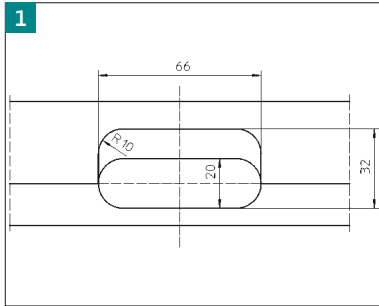
- slightly loosen the clamping screws in the door part of all hinges
- turn the adjustment screw in the required direction, avoid strain on the axis
- retighten the clamping screws

Compression adjustment

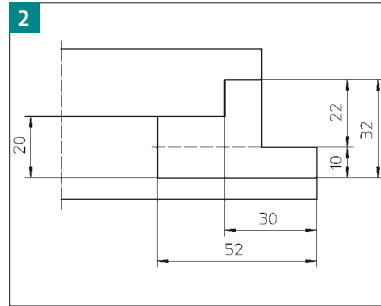
- slightly loosen the clamping screws in the frame part of all hinges
- turn the eccentric adjustment in the desired direction
- retighten the clamping screws

FITTING INSTRUCTIONS

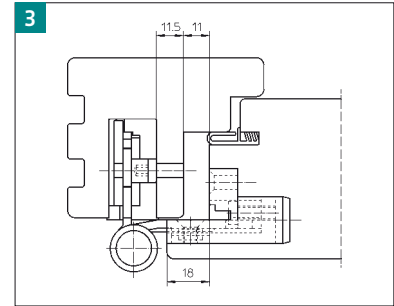
BAKA protect 3D



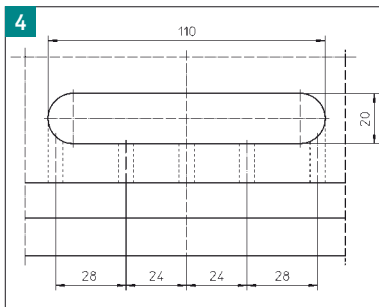
1 Determine the hinge position in the door.



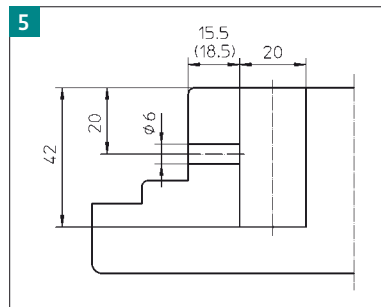
2 Prepare the holes, cutter \varnothing : see template specification; heed different milling depth specifications (1.+2. hole).



3 Fasten the door part in the hole with 2 wood screws 5 x 60 mm.



4 Clamp on the drilling/milling jig, drill the holes using a 6.0 mm \varnothing bit; cutter \varnothing : see template specification.

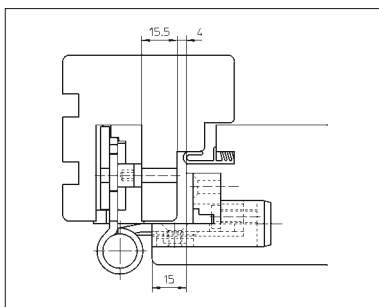


5 Insert the receivers and fix them with attached screws. Hinges „A“ are inserted at the top and bottom, hinge „H“ is inserted in the middle. Feed the door into the frame and insert the hinge pins.

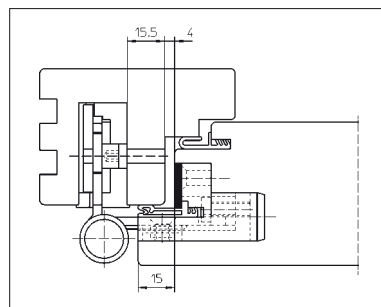
Note

Doors with acoustic seal require the **BAKA protect 3D FD** hinge system. The installation is identical with BAKA protect 3D. The acoustic seal runs through the hinge body of the door side.

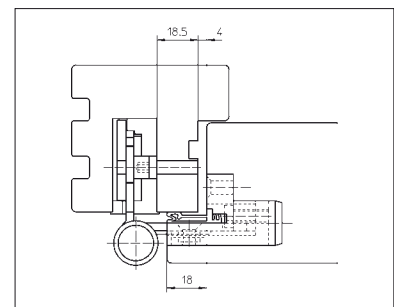
Door Construction



Door with 15 mm rebate
Use the cover plate

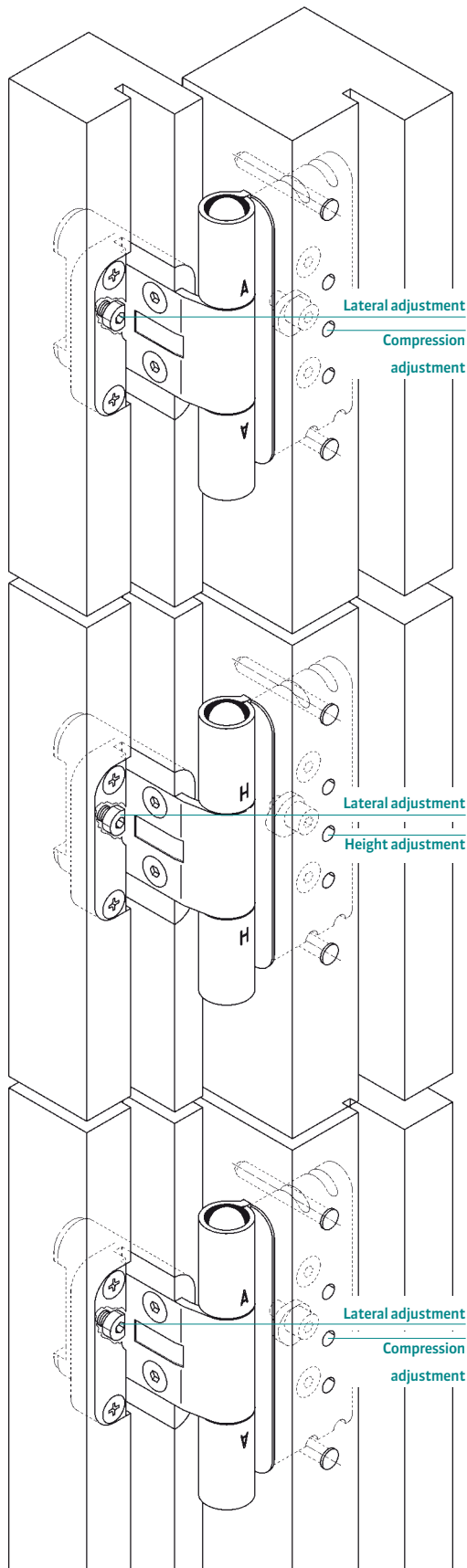


Door with 15 mm rebate and acoustic seal
Use the cover plate



Door with 18 mm rebate and acoustic seal
No cover plate

ADJUSTMENT

**BAKA protect 3D****Continuously variable 3D adjustment**

Side	+/- 3.0 mm
Height	+/- 3.0 mm
Depth	0-4 mm

Lateral adjustment

- slightly loosen the clamping screws in the door part of all hinges
- turn the adjustment screw in the required direction, avoid strain on the axis
- retighten the clamping screws

Height adjustment

- slightly loosen the clamping screws in the frame part of all hinges
- adjust the height by turning the eccentric adjustment of the middle hinge in the desired direction
- retighten the clamping screws

Compression adjustment

- slightly loosen the clamping screws in the frame part of all hinges
- adjust the compression by turning the eccentric adjustments of the upper and the lower hinge in the desired direction
- retighten the clamping screws

SIMONSWERK
BAKA®

Plastic drilling jig BAKA 20

made of high quality plastic material with hardened steel bushes for quick simultaneous fitting

To be used for

C 1-20 WF

C 1-20 WF Basic, ...

The complete jig consists of

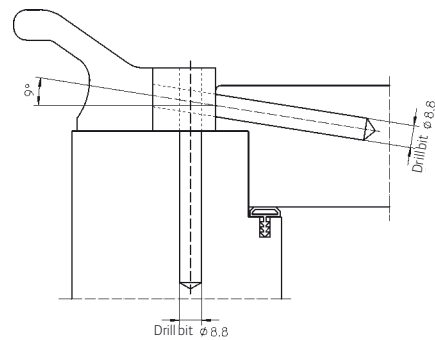
- 1 drilling jig
- 1 drill bit $\varnothing 8.8$ mm
- 1 set ring
- 1 wind-in claw $\varnothing 20$ mm
- 1 fitting instruction

Fitting instructions

1. Place door into frame, pull fully to hinge side and clamp. The clearance on the hinge side is considered in the jig.
2. Mark hinge position, attach drilling jig and drill holes for threaded pins.
3. Remove the door, and screw in frame and door part with the manual wind-in crank or with drilling machine.
4. Align hinge parts and hang the door.

Note

Also available: Plastic drilling jig BAKA 13/15 for C 1-15 WF hinges.





Drilling jig BAKA KR

for drilling in tilt windows with and without drainage rail

To be used for

C 1-15 WF (for oblique drilling only)

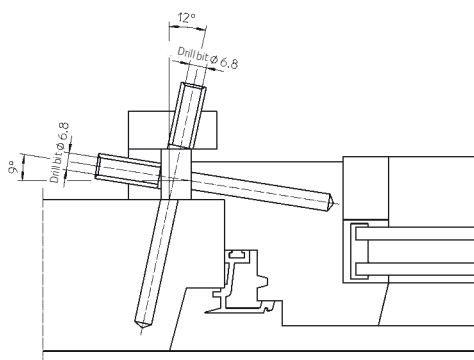
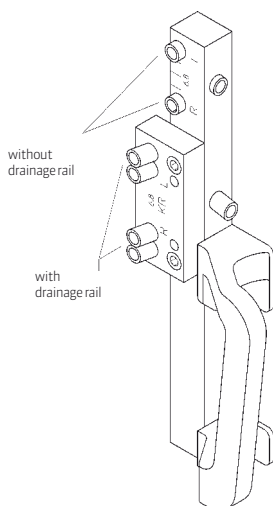
C 1-15 WF Basic, ...

The complete jig consists of

- 1 drilling jig
- 1 drill bit $\varnothing 6.8$ mm
- 1 set ring
- 1 wind-in claw $\varnothing 13$ mm
- 1 wind-in claw $\varnothing 15$ mm
- 1 fitting instruction

Fitting instructions

1. Clamp sash on hinge side without any gap in the rebate onto the frame. The 3 mm clearance on the hinge side is considered in the drilling jig.
2. Mark hinge position and drill holes.
3. For windows with drainage rail, when the threaded frame pins need to be drilled diagonally please use the drilling bushes of the screwed-on drilling plate. The right hand drilling bushes apply to bottom-hung windows without drainage rails for C 1-13 and C 3-15 with vertically drilled frame pins. The holes must be drilled in one single jig position.
4. Remove sash and screw in frame and sash part with the wind-in crank or with drilling machine.
5. Hang the sash.



Routing jig BAKA 2D 20 Door

for door part routing BAKA 2D 20

To be used for

BAKA 2D 20
BAKA 2D 20 FD
BAKA 2D 20 RZ 57
BAKA 2D 20 FD RZ 57
BAKA 2D 20/100-1
BAKA 2D 20/100-1 FD
BAKA protect 3D
BAKA protect 3D FD

The complete jig consists of

- 1 routing jig
- 1 template 2D 20 Door 20/30
- 1 fitting instruction

Fitting instructions

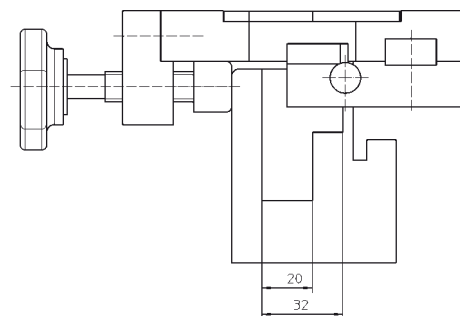
1. Clamp routing jig to workpiece, insert template and rout first slot.
2. Reposition template in routing jig and rout second slot.
3. After routing, loosen quick-release clamp and remove routing jig.
 - Cutter: $\varnothing 20$ mm
 - Collar ring: $\varnothing 30$ mm

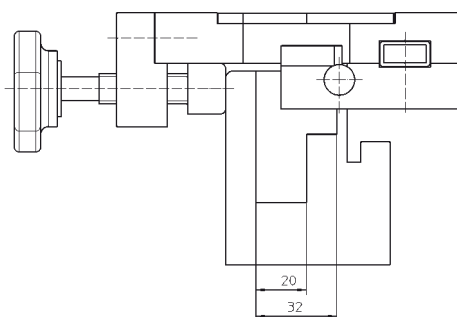
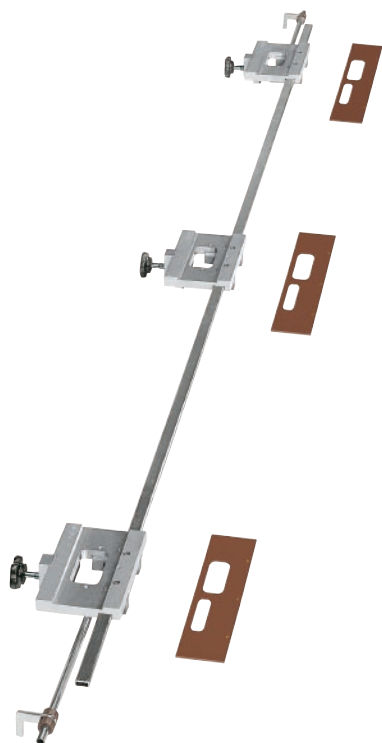
Further information

Templates for the following combinations (cutter/collar ring) are also available as accessories:

- template 2D 20 Door 16/30
- template 2D 20 Door 16/27
- template 2D 20 Door 20/27

See also ball bearing location drilling jig BAKA 2D 20 Door, page 21.





Ball-bearing location drilling jig BAKA 2D 20 Door

for door part routing BAKA 2D 20

To be used for

BAKA 2D 20
BAKA 2D 20 FD
BAKA 2D 20 RZ 57
BAKA 2D 20 FD RZ 57
BAKA 2D 20/100-1
BAKA 2D 20/100-1 FD
BAKA protect 3D
BAKA protect 3D FD

The complete jig consists of

3 routing jig
3 templates 2D 20 Door 20/30
1 square connecting rod with ball-bearing location guide
2 end stops
1 fitting instruction

Fitting instructions

The end stops need to be individually adjusted for right- or left hand and mounted in the door rebate.

1. Align BAKA 2D 20 door ball-bearing location routing jig with frame jig.
2. Clamp ball-bearing location routing jig to the workpiece, insert templates and rout first set of slots.
3. Reposition templates in routing jigs and conduct second routing.
4. After routing, loosen quick-release clamp and remove ball-bearing location routing jig.

Cutter: $\varnothing 20$ mm

Collar ring: $\varnothing 30$ mm

Further information

Templates for the following combinations (cutter/collar ring) are also available as accessories:

template 2D 20 Door 16/30

template 2D 20 Door 16/27

template 2D 20 Door 20/27

See also routing jig BAKA 2D 20 Door, page 20.

Plug-in drilling jig BAKA 2D 20 (FD) Frame

for frame part drilling BAKA 2D 20 (FD)

To be used for

BAKA 2D 20
 BAKA 2D 20 RZ 57
 BAKA 2D 20 FD
 BAKA 2D 20 FD RZ 57

The complete jig consists of

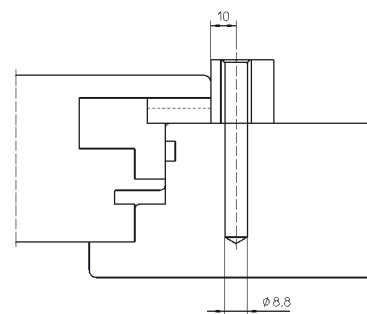
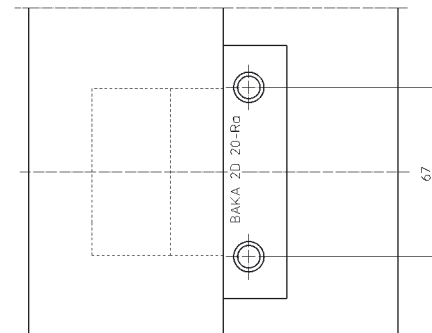
- 1 drilling jig
- 1 drill bit $\varnothing 8.8$ mm
- 1 set ring
- 1 wind-in claw $\varnothing 20$ mm
- 1 fitting instruction

Fitting instructions

1. Determine hinge position on door leaf. Rout slot in the door leaf with BAKA 2D 20 routing jig.
2. Insert door leaf in frame. The 4-mm clearance on the hinge side is considered in the drilling jig.
3. Fix BAKA 2D 20 plug-in jig in the routing slot and drill holes. Remove door leaf from frame, screw in frame parts according to seal pressure and align vertically. Screw BAKA 2D 20 door part within the routed slot. Insert door leaf and install pin.
4. For doors with only one seal in the overlap, the BAKA 2D 20 FD is required. Installation is identical to the BAKA 2D 20. The seal runs through the hinge body of the door side.

Further information

Please indicate hinge type when ordering drilling jig.





Ball-bearing location drilling jig BAKA Frame 20

for separate drilling in entrance doors

To be used for

C 1-20 WF
C 1-20 WF Basic, ...
BAKA 2D 20
BAKA 2D 20 FD
BAKA 2D 20 RZ 57
BAKA 2D 20 FD RZ 57

The complete jig consists of

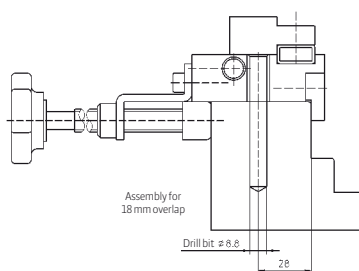
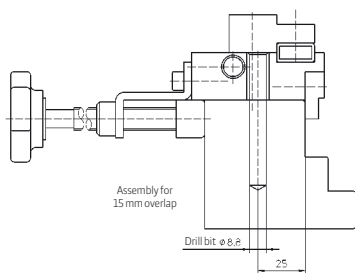
3 drilling jigs
1 square connecting rod with ball-bearing location guide
2 stops
1 drill bit $\varnothing 8.8$ mm
1 set ring
1 wind-in claw $\varnothing 20$ mm
1 fitting instruction

Fitting instructions

1. The length stops are to be set separately for right- and left hand, and are placed into the frame rebate.
2. Align ball-bearing location drilling jig with the door jig.
3. Adjust the side stops for 15 or 18 mm overlap width, depending on construction (see drawing).
4. Clamp ball-bearing location drilling jig to the work piece. The 4 mm clearance on the hinge side is considered in the drilling jig.
5. Drill holes ($\varnothing 8.8$ -mm drill bit)
6. Screw in frame parts according to required depth position, and align vertically.
7. Insert door leaf and install pin.

Further information

Additional drilling jigs for mounting further hinges are available on request. See plastic drilling jig BAKA 20



Drilling/routing jig BAKA 3D 20 Frame

for frame part drilling and routing BAKA 3D 20

To be used for

BAKA 2D 20/100-1

BAKA 2D 20/100-1 FD

The complete jig consists of

- 1 drilling/routing jig
- 1 drill bit \varnothing 6.0 mm
- 1 set ring
- 1 fitting instruction

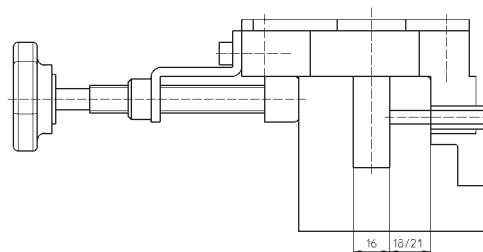
Fitting instructions

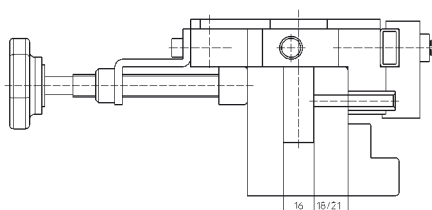
1. Determine hinge position.
2. Clamp drilling/routing jig to workpiece. The 4 mm clearance on the hinge side is considered in the jig.
3. Drill frame holes (\varnothing 6.0 mm drill bit).
4. Rout slot with:
 - Cutter: \varnothing 16 mm
 - Collar ring: \varnothing 30 mm
5. Insert receiver and lock in place with fastening pins.

Further information

Overlap width 15 mm - BAKA 3D 20Door/15 drilling/routing jig

Overlap width 18 mm - BAKA 3D 20 Door/18 drilling/routing jig





Ball-bearing location drilling jig BAKA 3D 20 Frame

for frame part drilling and routing BAKA 3D 20

To be used for

BAKA 2D 20/100-1

BAKA 2D 20/100-1 FD

The complete jig consists of

- 3 drilling/routing jigs
- 1 square connecting rod with ball-bearing location guide
- 2 stops
- 1 drill bit Ø 6.0 mm
- 1 set ring
- 1 fitting instruction

Fitting instructions

1. The end stops need to be individually adjusted for right- and left hand and are placed into the door rebate.
2. Align ball-bearing location drilling/routing jig with door jig.
3. Clamp ball-bearing location drilling/routing jig to workpiece. The 4 mm clearance on the hinge side is considered in the jig.
4. Drill frame holes (Ø 6.0 mm drill bit).
5. Rout slots with:
 - Cutter: Ø 16 mm
 - Collar ring: Ø 30 mm
6. Insert receiver and lock in place with fastening pins.

Further information

Overlap width 15 mm - BAKA 3D 20 Door/15 drilling/routing jig

Overlap width 18 mm - BAKA 3D 20 Door/18 drilling/routing jig

Drilling /routing jig BAKA protect Frame

for frame part drilling and routing BAKA protect

To be used for

BAKA protect 3D

BAKA protect 3D FD

The complete jig consists of

- 1 drilling/routing jig
- 1 template protect Frame 20/30
- 1 drill bit Ø 6.0 mm
- 1 set ring
- 1 fitting instruction

Fitting instructions

1. Determine hinge position.
2. The drilling/routing jig is designed for an overlap width of 15 mm. For an 18 mm overlap width, remove the compensation plate (see cross-section).
3. Clamp drilling/routing jig to workpiece. The 4 mm clearance on the hinge side is considered in the jig.
4. Drill frame holes (Ø 6.0-mm drill bit).
5. Rout slot with:
 - Cutter: Ø 20 mm
 - Collar ring: Ø 30 mm.
6. Insert receiver and lock in place with fastening pins.

Further information

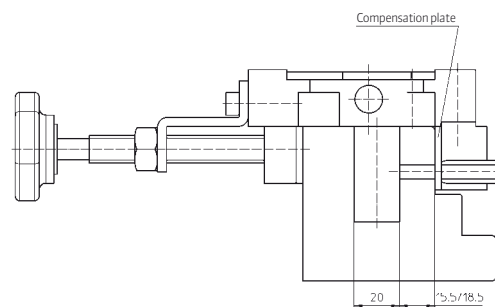
Templates for the following combinations (cutter/collar ring) are also available as accessories:

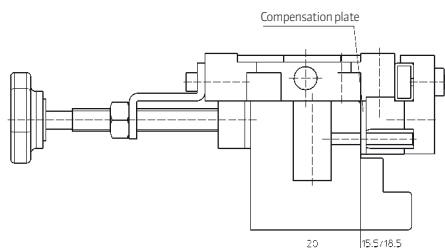
template Protect 3D Frame 16/30

template Protect 3D Frame 16/27

template Protect 3D Frame 20/27

See also ball-bearing location drilling/routing jig BAKA Protect Frame, page 27.





Ball-bearing location drilling jig BAKA protect Frame

for frame part drilling and routing BAKA protect

To be used for

BAKA protect 3D

BAKA protect 3D FD

The complete jig consists of

- 3 drilling/routing jigs
- 3 templates protect Frame 20/30
- 1 square connecting rod with ball-bearing location guide
- 2 end stops
- 1 drill bit Ø 6 mm
- 1 set ring
- 1 fitting instruction

Fitting instructions

1. The end stops need to be individually adjusted for right- and left hand and mounted in the frame rebate.
2. The drilling/routing jig is designed for an overlap width of 15 mm.
For an 18 mm overlap width, remove the compensation plate (see cross-section).
3. Adjust ball-bearing location drilling/routing jig to door jig.
4. Clamp ball-bearing location drilling/routing jig to workpiece. The 4-mm clearance on the hinge side is considered in the jig.
5. Drill frame holes (Ø 6.0-mm drill bit).
6. Rout slot with:
 - Cutter: Ø 20 mm
 - Collar ring: Ø 30 mm.
7. Insert receiver and lock in place with fastening pins.

Further information

Templates for the following combinations (cutter/collar ring) are also available as accessories:

template Protect 3D Frame 16/30

template Protect 3D Frame 16/27

template Protect 3DFrame 20/27

See also ball-bearing location drilling/routing jig BAKA Protect Frame, page 26.

CONTAINS

SIMONSWERK BAKA®

C 1-15 WF	BAKA 2D 20	BAKA 2D 20 RZ 57	BAKA 2D 20/100-1	BAKA protect 3D
C 1-20 WF	BAKA 2D 20 FD	BAKA 2D 20 FD RZ 57	BAKA 2D 20/100-1 FD	BAKA protect 3D FD

FURTHER BRANDS MADE BY SIMONSWERK

SIMONSWERK TECTUS®

SIMONSWERK VARIANT® VX

SIMONSWERK VARIANT® VN

SIMONSWERK VARIANT® VG

SIMONSWERK VARIANT® V

SIMONSWERK SIKU®

SIMONSWERK ALPRO®

Brochure BAKA® Timber Entrance Doors

07/2009

5 800270 0 00001/2.0



OUR PRODUCT INFORMATION SYSTEM

www.bandsysteme.com

SIMONSWERK GmbH

Bosfelder Weg 5

D - 33378 Rheda-Wiedenbrück

Phone +49 (0)5242 / 413-0

Fax +49 (0)5242 / 413-150

sales@simonswerk.de

www.simonswerk.com

www.bandsysteme.com